





Royal Netherlands Institute for Sea Research

NIOZ Technology: update and new equipment

Yvo Witte

NIOZ The Netherlands

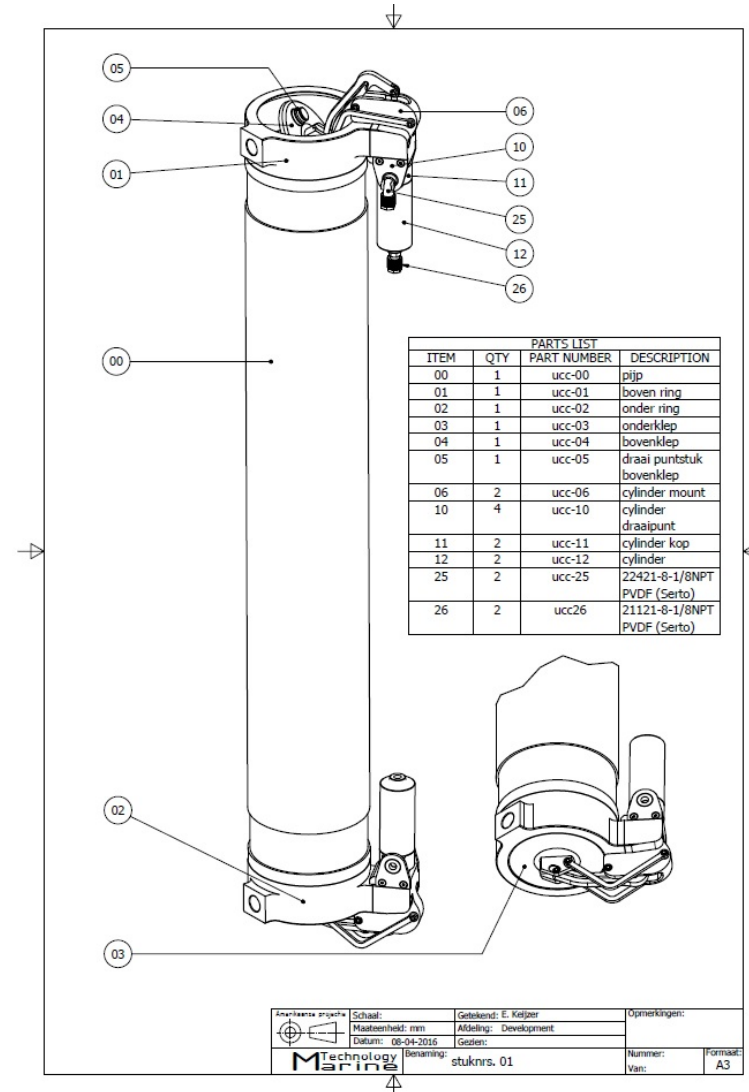
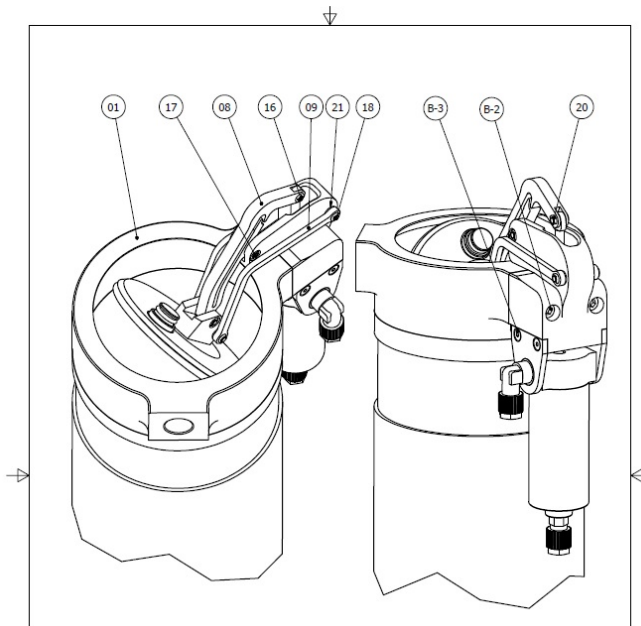
Department NMF

NIOZ is an institute of  in cooperation with  Utrecht University



NIOZ 12L sample bottles

- 24 bottles in standard rosette
- Including pressure
- PVDF bottle material
- Installation date June 2018



Project:	Schaal:	Getekend: E. Krijger	Opmerkingen:
Maat eenheid: mm	Datum: 08-04-2016	Afgeleed: Development	
Technology Marine		Benaming: stuknr.s. 01	Nummer: Van: Formaat: A3



NIOZ 12L sample bottles

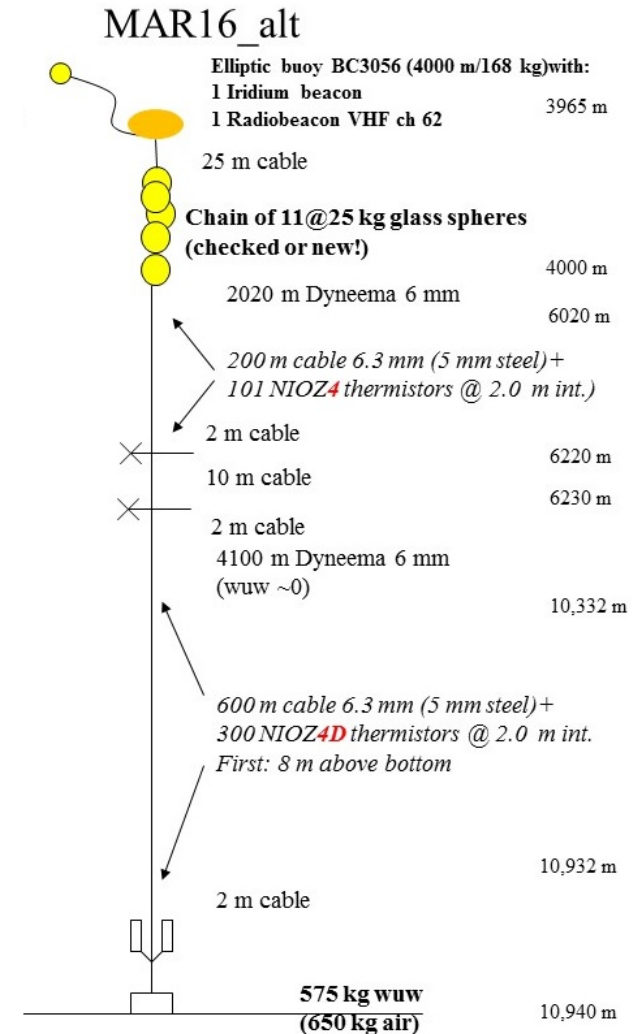
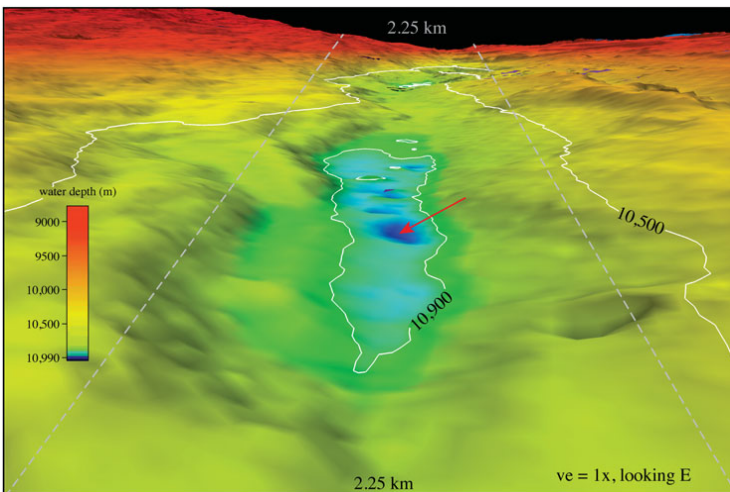
- Work in progress





Mariana Trench mooring

- Measuring internal waves, deployed last year with *RV Sonne*
- 300 thermistors between 10,932-10,332m
- 200 thermistors between 6220-6020m





3D mooring deployment





Further developments

- NIOZ Deep Sea Cable
- Replacement NIOZ Fleet
- NICO expeditions

